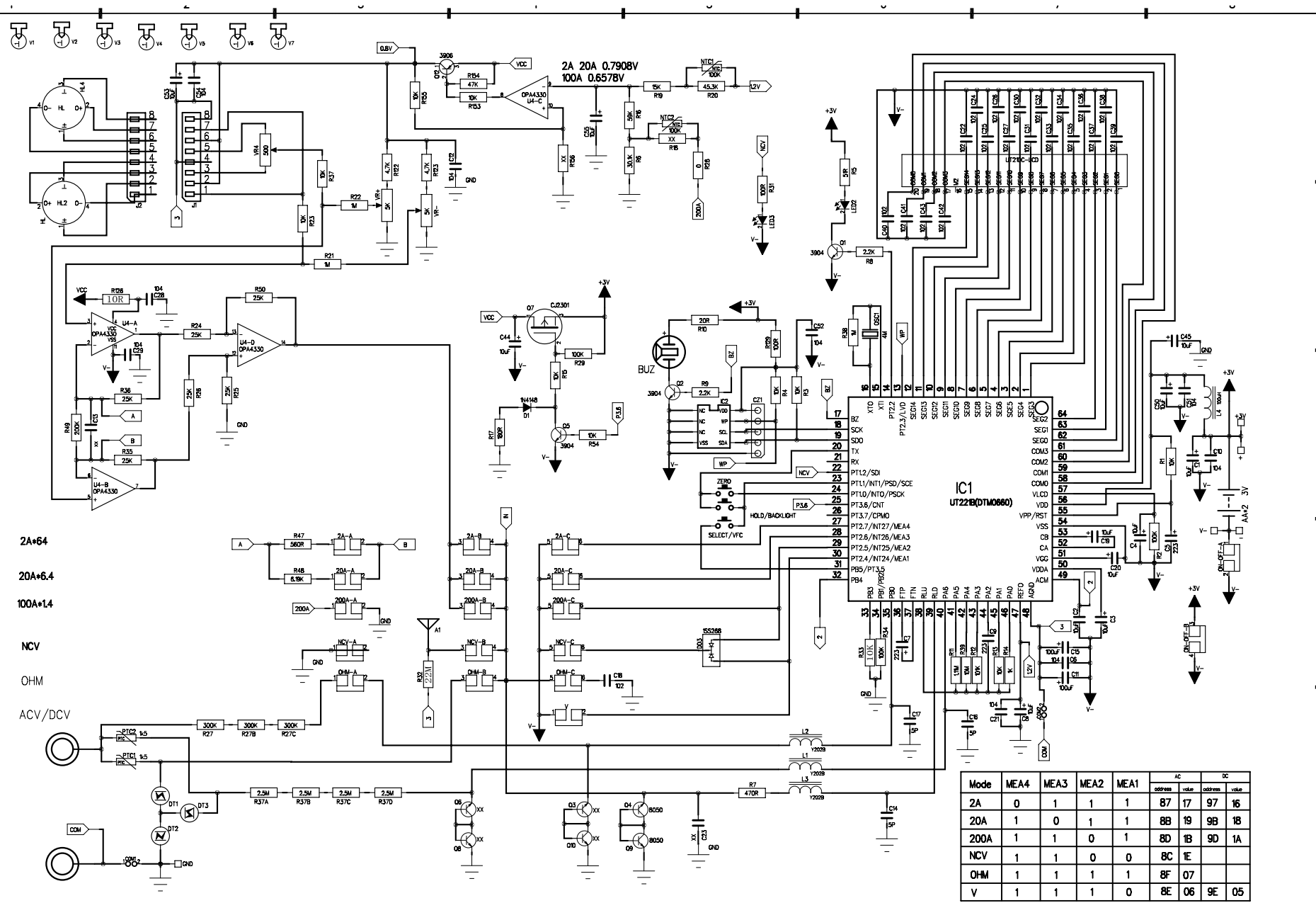


All right of copyright reserved.
 Reproduction or issue to third parties in any form whatsoever
 is not permitted without written authority from the proprietor.



Mode	MEA4	MEA3	MEA2	MEA1	AC		DC	
					address	value	address	value
2A	0	1	1	1	87	17	97	16
20A	1	0	1	1	8B	19	9B	1B
200A	1	1	0	1	8D	1B	9D	1A
NCV	1	1	0	0	8C	1E		
OHM	1	1	1	1	8F	07		
V	1	1	1	0	8E	06	9E	05

DWN
 设计 黄伟梁 2014.3.12
 CHK
 审核
 APPRO.
 批准
 FORM NO. RDD017-5
 ECN DISK.

型号: UT210E
 原理图

D/N:UT2. 714. 430DL

Rev. 1
 SH. 1 - 1
 FORM. A3